

Uninterruptible power supply - QUINT-UPS/ 24DC/ 24DC/ 5 - 2320212

Please be informed that the data shown in this PDF Document is generated from our Online Catalog. Please find the complete data in the user's documentation. Our General Terms of Use for Downloads are valid (<http://download.phoenixcontact.com>)



Uninterruptible power supply with IQ technology for DIN rail mounting, input: 24 V DC, output: 24 V DC/5 A, including mounted universal DIN rail adapter UTA 107/30

Product Features

- ✔ Easy handling thanks to automatic battery detection, tool-free battery replacement during operation, and communication via the IFS interface
- ✔ Reliable starting of difficult loads with the static POWER BOOST power reserve with up to 1.5 times the nominal current permanently
- ✔ Fast tripping of standard circuit breakers with SFB (selective fuse breaking) technology
- ✔ Device suitable for universal use thanks to comprehensive license package and extensive parameterization and diagnostics options



Key commercial data

package_quantity	1
GTIN	4046356554138

Technical data

Dimensions

Width	35 mm
Height	130 mm
Depth	125 mm
Width with alternative assembly	123 mm
Height with alternative assembly	130 mm
Depth with alternative assembly	39 mm

Ambient conditions

Degree of protection	IP20
Ambient temperature (operation)	-25 °C ... 70 °C
Ambient temperature (storage/transport)	-40 °C ... 85 °C
Max. permissible relative humidity (operation)	≤ 95 % (25°C, no condensation)
Noise immunity	EN 61000-6-2:2005

Input data

Nominal input voltage	24 V DC
Input voltage range DC	18 V DC ... 30 V DC

Uninterruptible power supply - QUINT-UPS/ 24DC/ 24DC/ 5 - 2320212

Technical data

Input data

Current consumption	9.4 A (Maximum, mains operation)
Current consumption	10.3 mA (No load, mains operation)
Current consumption	1.8 A (Charging, mains operation)
Current consumption (maximum)	9.4 A (Maximum, mains operation)
Current consumption (idle)	10.3 mA (No load, mains operation)
Current consumption (charging process)	1.8 A (Charging, mains operation)
Buffer period	2 h (With battery module 12 AH)

Output data

Nominal output voltage	24 V DC
Output voltage range	18 V DC ... 30 V DC
Output current	5 A (-25 °C ... 50 °C)
Derating	60 °C ... 70 °C (2.5%/K)
Connection in parallel	Yes, up to 2 modules with redundancy module
Connection in series	No

General

Net weight	0.5 kg
Efficiency	> 98 % (Mains operation, with charged power storage)
Efficiency	98 % (Battery operation)
Protection class	III
MTBF (IEC 61709, SN 29500)	> 500000 h (According to EN 29500)
Mounting position	horizontal DIN rail NS 35, EN 60715
Assembly instructions	Can be aligned: horizontal 5 mm, vertical 50 mm
Electromagnetic compatibility	Conformance with EMC Directive 2004/108/EC
Low Voltage Directive	Conformance with LV directive 2006/95/EC
Standard - Electrical safety	EN 60950-1/VDE 0805 (SELV)
Standard – Electronic equipment for use in electrical power installations and their assembly into electrical power installations	EN 50178/VDE 0160 (PELV)
UL approvals	UL/C-UL Recognized UL 60950
UL approvals	UL Listed UL 508

Connection data, input

Connection method	Pluggable screw connection
Conductor cross section solid min.	0.2 mm ²
Conductor cross section solid max.	2.5 mm ²
Conductor cross section stranded min.	0.2 mm ²
Conductor cross section stranded max.	2.5 mm ²
Conductor cross section AWG/kcmil min.	20
Conductor cross section AWG/kcmil max	12
Stripping length	7 mm

Uninterruptible power supply - QUINT-UPS/ 24DC/ 24DC/ 5 - 2320212

Technical data

Connection data, input

Screw thread	M4
---------------------	----

Connection data, output

Connection method	Pluggable screw connection
Conductor cross section solid min.	0.2 mm ²
Conductor cross section solid max.	2.5 mm ²
Conductor cross section stranded min.	0.2 mm ²
Conductor cross section stranded max.	2.5 mm ²
Conductor cross section AWG/kcmil min.	20
Conductor cross section AWG/kcmil max	12
Stripping length	7 mm

Signaling

Signalization designation	Power In OK
Status display	LED
Note on status display	Static to
Conductor cross section solid min.	0.2 mm ²
Conductor cross section solid max.	2.5 mm ²
Conductor cross section stranded min.	0.2 mm ²
Conductor cross section stranded max.	2.5 mm ²
Conductor cross section AWG/kcmil min.	24
Conductor cross section AWG/kcmil max	12
Tightening torque, min	0.5 Nm
Tightening torque max	0.6 Nm
Screw thread	M4
Signalization designation	Alarm
Output name	Switching output
Output description	Relay (floating)
Maximum switching voltage	≤ 30 V AC/DC
Continuous load current	≤ 100 mA
Status display	LED
Note on status display	Static to
Signalization designation	Battery charge
Output name	Switching output
Output description	Relay (floating)
Maximum switching voltage	≤ 30 V AC/DC
Output voltage	24 V
Continuous load current	≤ 100 mA
Status display	LED-Bargraph
Note on status display	dynamic
Signalization designation	Battery mode

Uninterruptible power supply - QUINT-UPS/ 24DC/ 24DC/ 5 - 2320212

Technical data

Signaling

Output name	Switching output
Output description	Relay (floating)
Type of signaling	Battery mode
Maximum switching voltage	≤ 30 V AC/DC
Output voltage	24 V
Continuous load current	≤ 100 mA
Status display	LED
Note on status display	Static to

classifications

eCl@ss

eCl@ss 4.0	27040702
eCl@ss 4.1	27040702
eCl@ss 5.0	27242213
eCl@ss 5.1	27040603
eCl@ss 6.0	27040603
eCl@ss 7.0	27040603
eCl@ss 8.0	27040603

ETIM

ETIM 3.0	EC001039
ETIM 4.0	EC000382
ETIM 5.0	EC000382

UNSPSC

UNSPSC 6.01	30211510
UNSPSC 7.0901	39121011
UNSPSC 11	39121011
UNSPSC 12.01	39121011
UNSPSC 13.2	39121011

approvals

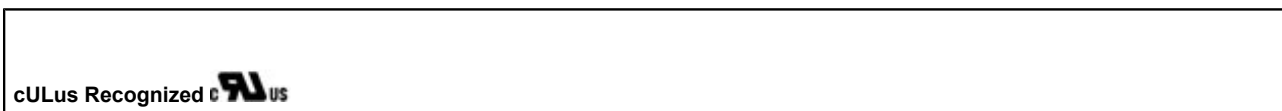
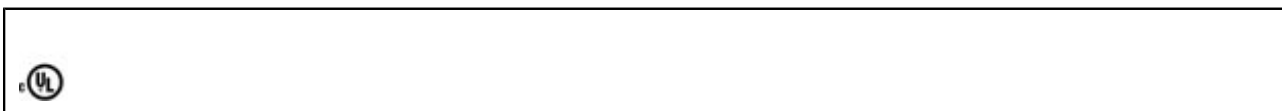
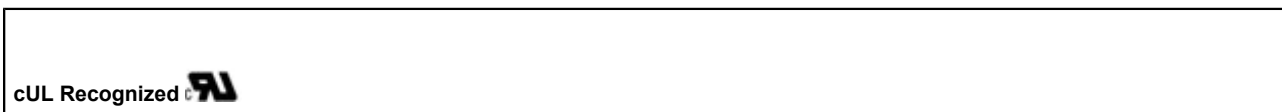
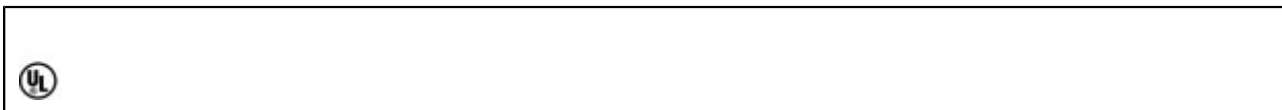
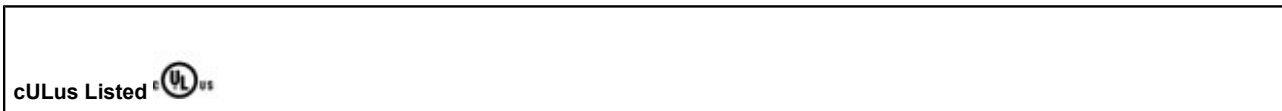
UL Listed / cUL Listed / cULus Listed / UL Recognized / UL Listed / cUL Recognized / cUL Listed / cULus Recognized / cULus Listed /

Approval details



Uninterruptible power supply - QUINT-UPS/ 24DC/ 24DC/ 5 - 2320212

approvals



accessories

Battery unit

UPS-BAT/VRLA/24DC/ 1.3AH - 2320296



Uninterruptible power supply - QUINT-UPS/ 24DC/ 24DC/ 5 - 2320212

accessories

UPS-BAT/VRLA/24DC/ 3.4AH - 2320306



UPS-BAT/VRLA/24DC/ 7.2AH - 2320319



UPS-BAT/VRLA/24DC/12AH - 2320322



UPS-BAT/LI-ION/24DC/120WH - 2320351



Configuration and diagnostics

UPS-CONF - 2320403



Data cable preassembled

Uninterruptible power supply - QUINT-UPS/ 24DC/ 24DC/ 5 - 2320212

accessories

IFS-USB-DATACABLE - 2320500



IFS-RS232-DATACABLE - 2320490



Memory block

IFS-CONFSTICK - 2986122



Assembly adapter

UWA 182/52 - 2938235



QUINT-PS-ADAPTERS7/1 - 2938196

Uninterruptible power supply - QUINT-UPS/ 24DC/ 24DC/ 5 - 2320212

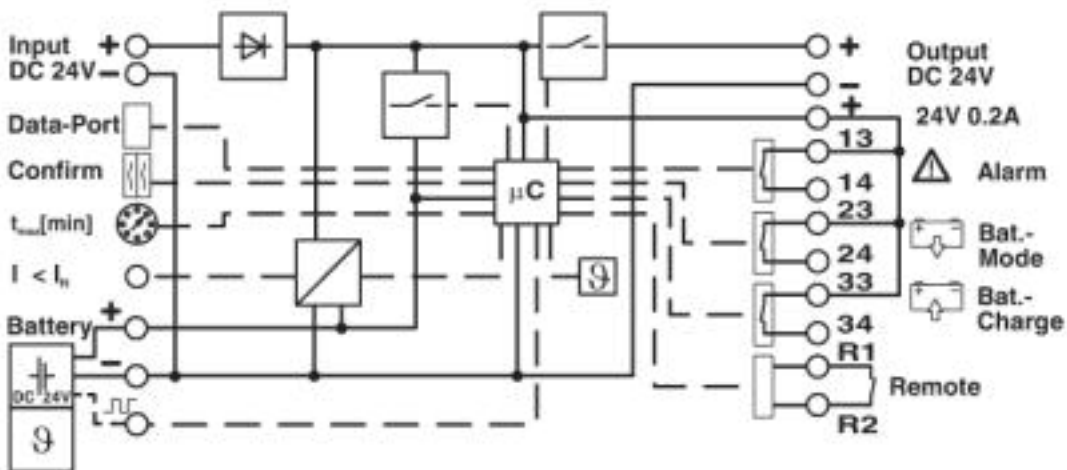
accessories

UTA 107/30 - 2320089



Drawings

Block diagram



© Phoenix Contact 2013 - all rights reserved
<http://www.phoenixcontact.com>