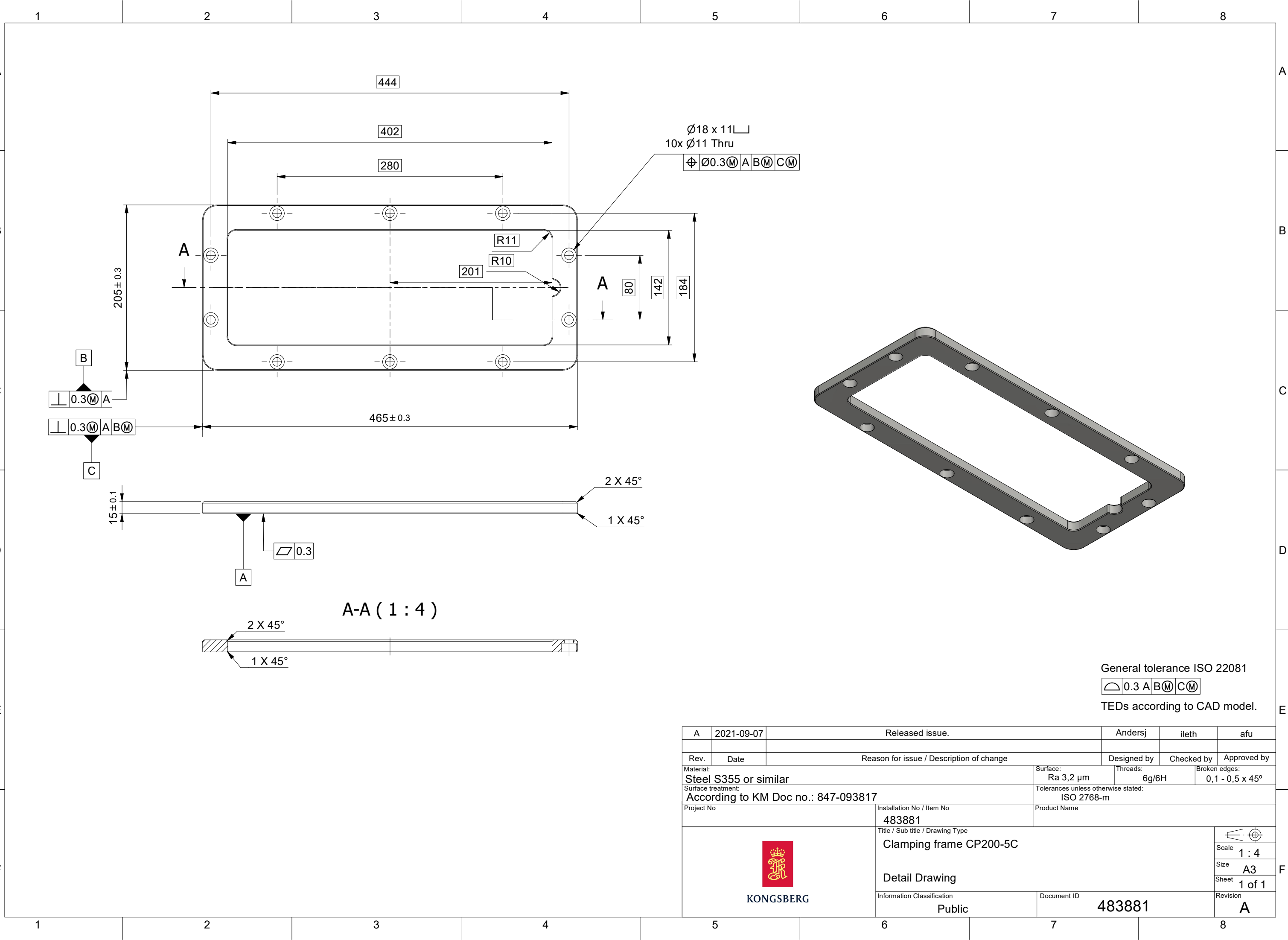

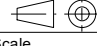


The reproduction, distribution and utilization of this document as well as the communication of its contents to others without express authorization is prohibited. Offenders will be held liable for the payment of damages. All rights reserved in the event of grant of a patent, utility model or design. © Kongsberg Maritime



General tolerance ISO 22081
 $\sqrt{0.3} \text{ A B (M) C (M)}$
 TEDs according to CAD model.

A	2021-09-07	Released issue.	Andersj	ileth	afu
Rev.	Date	Reason for issue / Description of change	Designed by	Checked by	Approved by
Material: Steel S355 or similar		Surface: Ra 3,2 µm	Threads: 6g/6H	Broken edges: 0,1 - 0,5 x 45°	
Surface treatment: According to KM Doc no.: 847-093817		Tolerances unless otherwise stated: ISO 2768-m			
Project No		Installation No / Item No 483881	Product Name		
 KONGSBERG		Title / Sub title / Drawing Type Clamping frame CP200-5C			 Scale 1 : 4
		Detail Drawing			Size A3
Information Classification Public		Document ID 483881	Sheet 1 of 1		Revision A