

AlphaBNWAS

Bridge Navigational Watch Alarm System

ALPHATRON

Marine



- Compact design to fit in any existing console
- Easy to install and operate
- Set-up is protected by key-switch
- Extendible with other alarm with Alarm Unit



Category

>150 GT



Workboats



Deepsea



Fishing



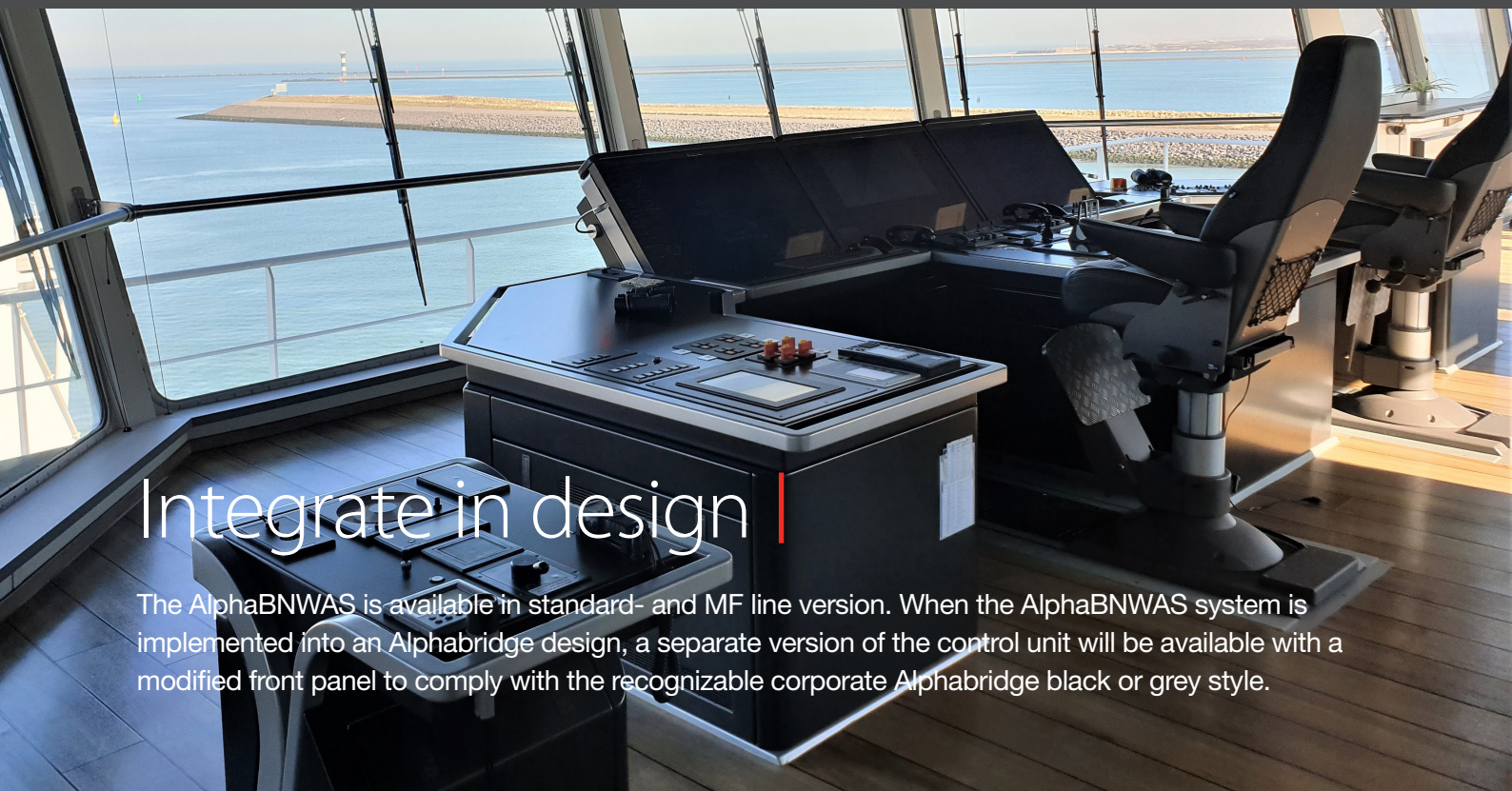
Yachting

alphanmarine.com

Features |

A Bridge Navigational Watch Alarm System (BNWAS) is an aid to help protect the Ship's Officers required to ensure a presence of the Officer of the Watch on the bridge and to carry out one man bridge duties. A BNWAS monitors bridge activity and detects any absence on the bridge that could lead to shipping accidents. The BNWAS system monitors the awareness of the Officer of the Watch (OOW) and warns the Master and/or another qualified Officer if the Officer of the Watch becomes incapable of performing duties through whatever cause.

- Cost effective design
- Operator friendly
- IMO approved
- Flexible configuration
- Uniform product philosophy
- Extendable by means of extra reset buttons
- Reports to the officer's cabins
- Dimming function
- Possibility to switch on automatically with the autopilot
- Communication interface to VDR and ECDIS (NMEA)



Integrate in design |

The AlphaBNWAS is available in standard- and MF line version. When the AlphaBNWAS system is implemented into an Alphabridge design, a separate version of the control unit will be available with a modified front panel to comply with the recognizable corporate Alphabridge black or grey style.



**BUREAU
VERITAS**

Approved system |

Ship owners can now meet these requirements in a cost effective way by choosing the Alphasatron Watch Alarm system called the AlphaBNWAS. The AlphaBNWAS is a Bureau Veritas MED certified Bridge Navigational Watch Alarm System mandatory on SOLAS vessels of 150GT and up and passenger vessels irrespective of the size of the vessel.

Alarm stages |

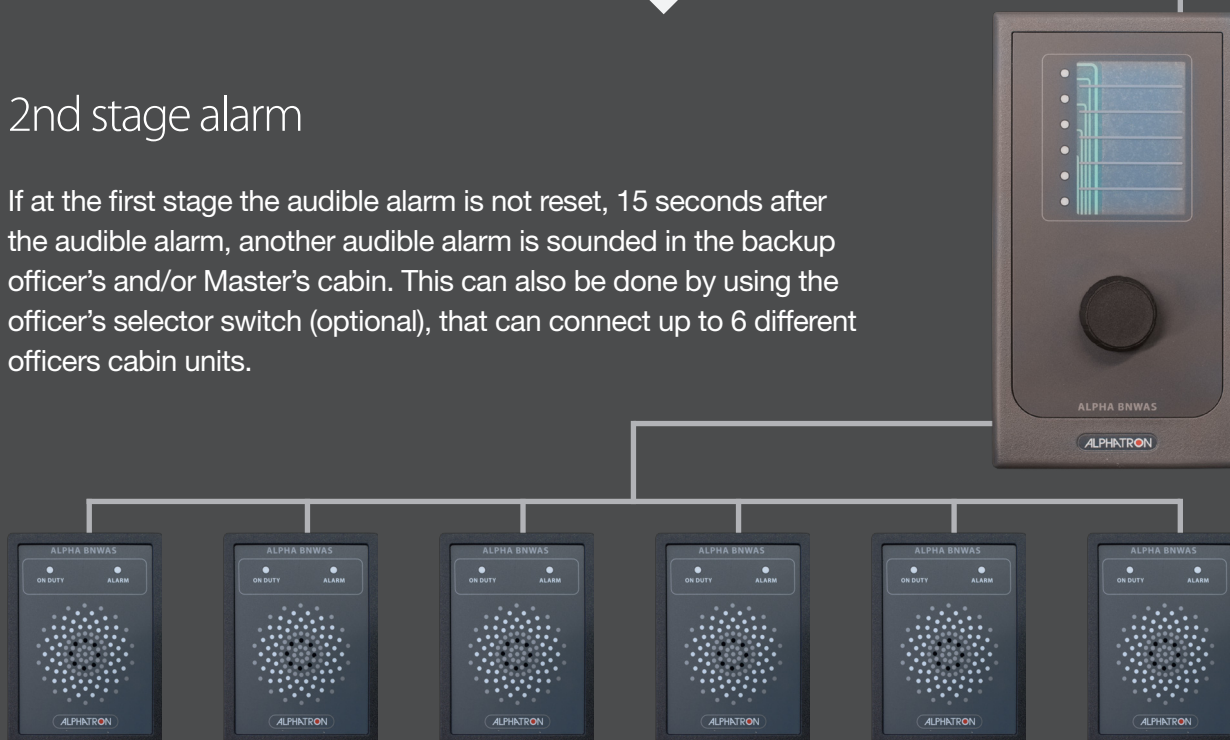
1st stage alarm

Once the dormant period ends, a visual indication inside the main unit will be activated. If not reset within 15 seconds of the visual indication, an audible alarm is sounded. This main unit is on the bridge and warns the person on watch he should reset the alarm. The alarm can be reset on the main unit or on the remote reset button or with a motion sensor. If the person on watch does not reset the alarm within 30 seconds the second stage alarm will sound.



2nd stage alarm

If at the first stage the audible alarm is not reset, 15 seconds after the audible alarm, another audible alarm is sounded in the backup officer's and/or Master's cabin. This can also be done by using the officer's selector switch (optional), that can connect up to 6 different officers cabin units.



3rd stage alarm

If at the second stage the audible alarm is not reset, 90 seconds after it, another unique audible alarm with sufficient volume is sounded at the locations of further crew members capable of taking corrective actions. If the officer does not reset within 3 minutes the 3rd stage alarm will sound all over the vessel.

- Except for passenger's vessels, the second and third stage alarm can be combined to sound at all locations. If this is applied, the third stage alarm may be omitted.
- For very large vessels, sufficient time of up to 3 minutes must be accounted for the backup officer or the Master to reach the Bridge to tend to the situation.



Specifications

Main unit	
Power supply	18-28 VDC@180mA max
Input	Reset
Output	4 potential free
Mounting	Flush mount
Protection	Set-up is protected by key-switch
Dimensions	
Standard version	72x144x88 (WxHxD); Cut out: 67x139 (WxH)
MF line version	96x180x76 (WxHxD); Cut out: 90x160 (WxH)

Buzzer Unit	
Power supply	18-33 VDC@30mA max
Dimensions	
Standard flush mount	72x96x70mm (WxHxD) Cut out: 67x91 (WxH)
Standard wall mount	80x105x28mm (WxHxD)
MF line version	96x180x76 (WxHxD); Cut out: 90x160 (WxH)

Reset Unit	
Power supply	18-33 VDC@30mA max
Dimensions	
Standard	72x96x70mm (WxHxD); Cut out: 67x91 (WxH)
MF line	96x180x76 (WxHxD); Cut out: 90x160 (WxH)

Selector Switch	
Power supply	18-28 VDC@10mA max
Dimensions	
Standard	72x144x70mm (WxHxD) Cut out: 139x67 mm (WxH)
MF line	96x180x76 (WxHxD); Cut out: 90x160 (WxH)

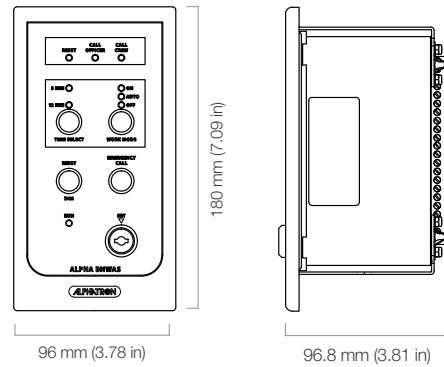
10 Channel Alarm Unit	
Power supply	18-30VDC@150mA
Interface	Modbus interface (RS485)
Input (digital)	10 digital inputs (NO/NC)
Output	3 group outputs
Input	3 lock inputs
Alarm relay	Potential free alarm relay
Dimensions	
Standard	72x144x75mm (WxHxD); Cut out: 139x67 mm (WxH)

Horn	
Power supply	8-35VDC
Operating Temp	-25°C to + 70°C / IP65
Frequency	400-2850Hz
Dimensions	
Standard	98x104mm (RxH)

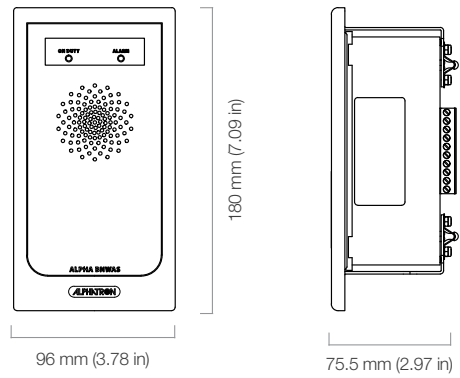
PIR Sensor	
Specifics	110° angle and 360° overview
Dimensions	
Standard	59x107x39mm (WxHxD)

Tech Specs

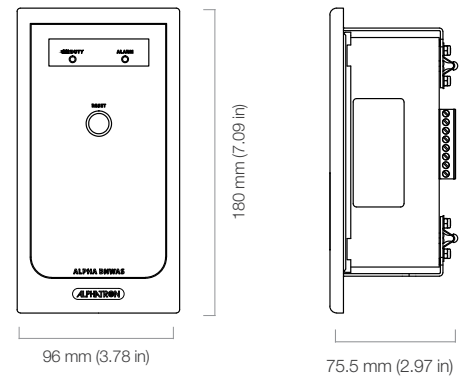
Main unit G-002351



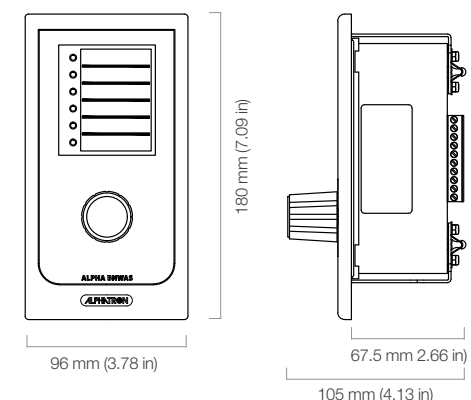
Buzzer Unit G-002369



Reset Unit G-002368



Selector Switch G-002370



In the box

AlphaBNWAS MF Line

- AlphaBNWAS Main unit -Alpha MF line ● G-002362 ● G-002364
- AlphaBNWAS Reset unit -Alpha MF line ● G-002365 ● G-002368
- AlphaBNWAS cabin unit buzzer -Alpha MF line ● G-002366 ● G-002369
- AlphaBNWAS selector -Alpha MF line ● G-002367 ● G-002370

AlphaBNWAS

- AlphaBNWAS Main Unit watch alarm, flush mount LR approved G-002351
- AlphaBNWAS cabin unit buzzer, flush mount G-002352
- AlphaBNWAS cabin unit buzzer, wall mount G-002374
- AlphaBNWAS reset button G-002354
- AlphaBNWAS selector switch G-002355
- AlphaBNWAS outdoor wing remote reset G-002357

Accessories

- AlphaBNWAS 10 Channel Alarm Unit ● G-002350 ● G-002353
- AlphaBNWAS Alarm horn G-002356
- AlphaBNWAS connectionbox G-002371
- AlphaBNWAS Flush mount bracket for Buzzer-and reset unit mounting G-002359
- AlphaBNWAS wall mounting box G-002360
- AlphaBNWAS Flush mount bracket for main-unit mounting G-002361
- AlphaBNWAS NMEA activation unit G-006949
- AlphaBNWAS Main connection board G-002371
- AlphaBNWAS Extension connection board G-002372
- AlphaBNWAS Selector switch connection board G-002373
- AlphaBNWAS motion sensor G-002375
- Cable to connect Main Unit to Main Connection board, 2 meter NL1-003200



www.alphatronmarine.com

Centers of Excellence

JRC Tokyo
1-7-32 Tatsumi, Koto-ku
Tokyo 135-0053
Japan
+81 3 5534 7800

JRC Shanghai
Floor 9-A Building C2,
Shanghai International Trade Center,
1599 New Jinqiao Road,
Pudong, Shanghai, China 201206
+86-21-2024-0607

JRC/ProNav AS
Hovlandsveien 52
4374 Egersund
Norway
+47 5146 4300

JRC/Alphatron Marine B.V.
Schaardijk 23
3063 NH Rotterdam
The Netherlands
+31 10 453 4000

JRC South East Asia
100 Pasir Panjang
118518 Singapore
Singapore
+65 6863 0335

JRC Americas
1205 Butler Road
TX 77573 Houston
United States of America
+1 281 271 4600