



Technical Datasheet SPS0750XD1SX REV. -

DuraBrite Nano Sport Series is the most versatile yet affordable lighting product we have designed to date.

Durabrite fans have been asking for a model that's smaller and more mobile than the Mini Series. We at Durabrite take this seriously and the result is the magnificent Nano! The design is so good it won the prestigious international design competition – Red Dot Design Award 2020, in the extremely competitive Lighting & Lamps Category.

Nano Sport, like all other Durabrite products, is designed by the same world-class team in New York using the best engineering principles, and spec-ing only the finest materials in its class.

Don't be fooled by its extremely thin profile at just 1.9" and a featherlike weight of merely 2.1lb, the Nano can pump almost 7,000 lumens all while drawing such little current it leaves the competition scratching their heads. The standard dimming function and the spot/flood available option will allow you to optimize the exact amount of light to get the job done right. Departing from our traditional hard-wiring architecture, the Nano Sport comes with a detachable IP67 waterproof plug that allows the user to remove the light and eliminate theft of this highly desirable product.

Another industry pioneering feature of the Nano is its modular design. Nano light modules can be stacked to produce a lightbar of various length and optics combinations. Extreme portability with class leading brightness will soon be a reality when paired with a Nano battery pack, which is to be released.





Optical & Electrical Characteristics (All ratings are at 25°C unless otherwise specified)

LED Color, CCT	Typical = 5000K (Neutral white) Lower limit = 4700K; Upper limit = 5300K
Brightness	7,000 lm (raw) Constant regardless of input voltage
Beam Angle	20 deg (Spot) 80 deg (Flood)
Operating Voltage	Auto detect voltages 12VDC, 24VDC, 36VDC
Current Draw	Approx. 1.9A at 24VDC Approx. 3.9A at 12VDC
Total Power Consumption	50W

Mechanical Characteristics

Water Resistance	IP67 (submerged to 3.3ft water for 30min)
Temperature Range	-40°C to 50°C
Vibration Resistance	MIL-STD-202G (TM201A 4 Cycles)

Warranty Terms

This product is covered by Durabrite's 2 Year Limited Warranty against material and manufacturing defects. It does not cover application and conditions that are outside of the product design parameters, abuse, and wear-and-tear. Further details can be found on our website at: <https://durabritelights.com/pages/warranty>



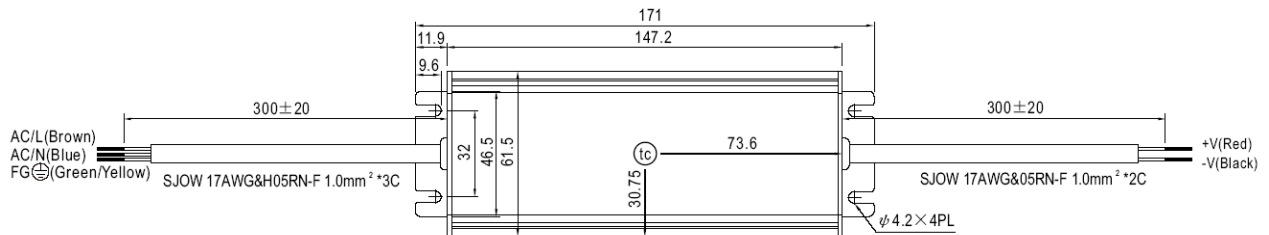
Wiring Instruction:

If you have a DC Power Source

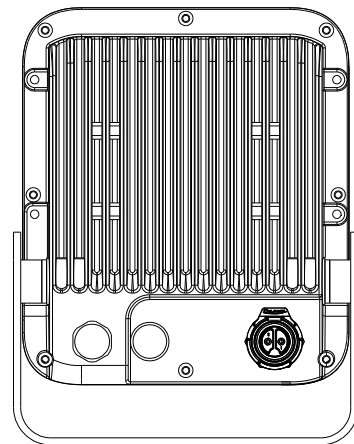
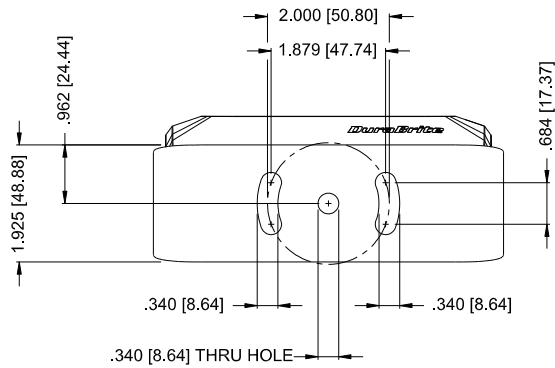
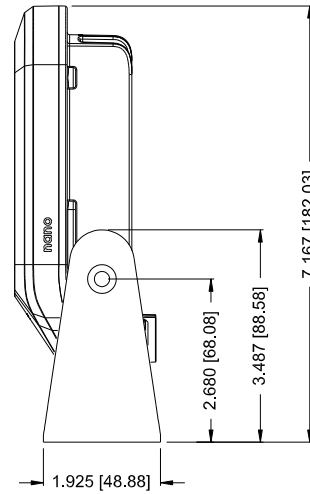
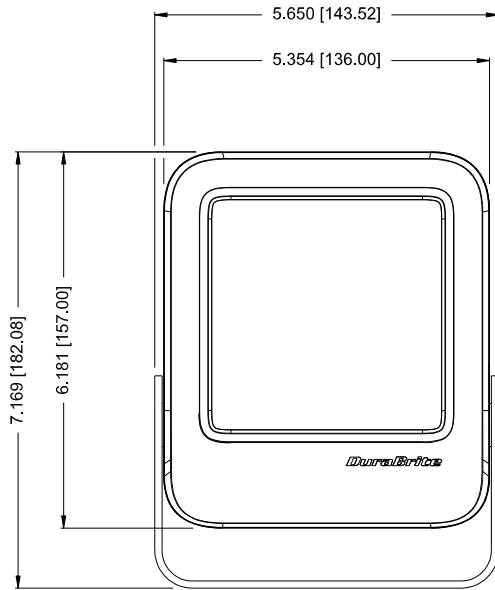
1. This is a DC light, meaning you should only power it directly using a DC source. You probably either have 12VDC or 24VDC. The light will auto detect the DC voltage. You don't have to do anything special if you operate on of these voltages.
2. Connect:
 - a. Positive (our white wire) to Positive
 - b. Negative (our black wire) to Negative
3. All wire connection **MUST BE** protected from water intrusion. Otherwise, damages due to water ingress because of unprotected wire connections will not be covered by our warranty.

If you have an AC Power Source

1. STOP NOW !
2. Go to our website and buy the Nano AC Adapter before you start the installation.
3. Once the AC adapter arrives, connect:
 - a. Positive (our white wire) to Positive (Red wire on the Output side of the adapter)
 - b. Negative (our black wire) to Negative (Black wire on the Output side of the adapter)
4. Make connection on the Input side of the adapter according to the National Electrical Code or equivalent in your country. The adapter can be powered by either 110VAC and 220VAC.



Mechanical Dimensions & Weight:



Weight: 2.3 pounds
(w/ marine grade aluminum bracket)

MOUNTING BRACKET HOLE TEMPLATE (TO SCALE)

Note: Use spring washers to resist vibration.

